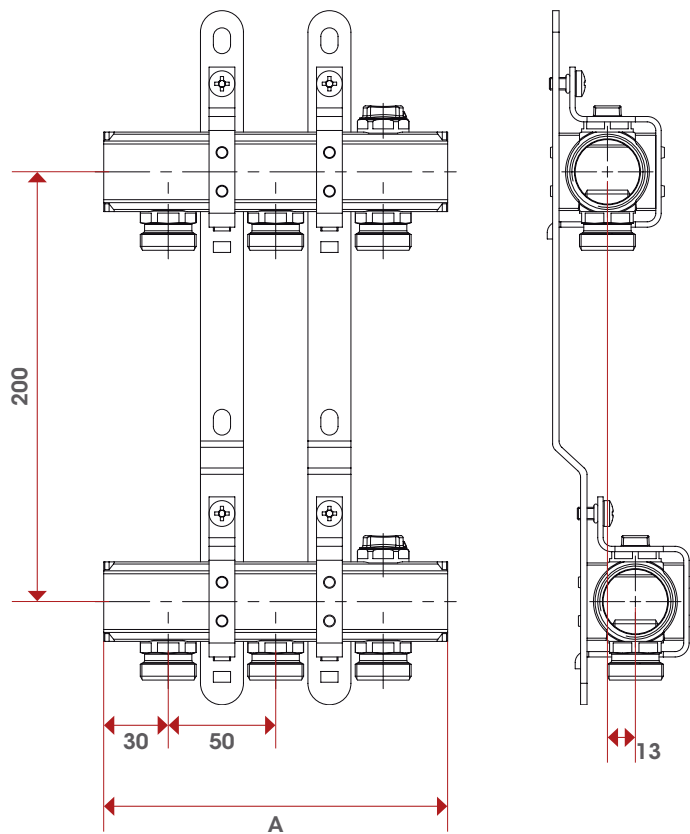


920MO



| | A |
|----|-----|
| | 1" |
| 2 | 110 |
| 3 | 160 |
| 4 | 210 |
| 5 | 260 |
| 6 | 310 |
| 7 | 360 |
| 8 | 410 |
| 9 | 460 |
| 10 | 510 |
| 11 | 560 |
| 12 | 610 |